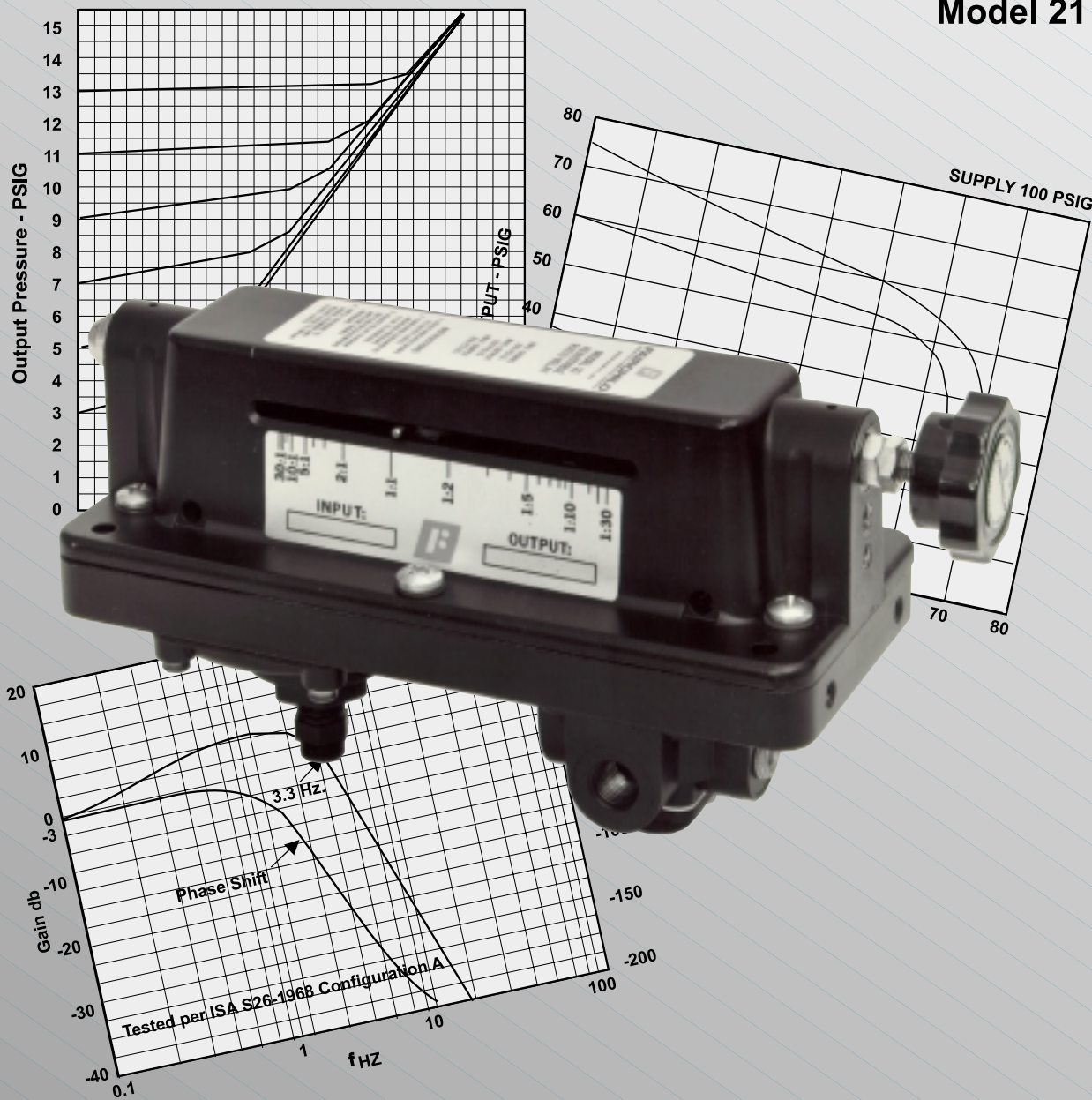


# FAIRCHILD

## ADJUSTABLE RATIO RELAY

Model 21



**FAIRCHILD**  
INDUSTRIAL PRODUCTS COMPANY

## GENERAL INFORMATION

### MODEL 21 ADJUSTABLE RATIO RELAY

#### APPLICATIONS

The Model 21 Adjustable Ratio Relay is designed for applications that require an output pressure that is a multiple or fraction of the input signal.

#### FEATURES

##### Performance

- Moveable Pivot allows infinite signal-to-output multiplication or division from 1:30 to 30:1 ratios.
- Optional input and output bias adjustments allow versatility in pressure configurations.
- A Balanced Supply Valve minimizes the effects of supply pressure variation.
- Aspirator Tube minimizes downstream pressure droop under flowing conditions.

##### Functional

- Flow of up to 40 SCFM with 100 psig Supply allows use in applications requiring high flow capacity.

##### Physical

- A separate Control Chamber isolates the diaphragm from the main flow, eliminating hunting and buzzing.

#### NOTE:

The information for this catalog sheet is being upgraded to electronic format and will be available soon. Please go to the Information Request section of this web site to order the latest printed revision.

## — ORDERING INFORMATION —

<b>Catalog Number</b>	<b>2 1 3 1</b>	<input type="checkbox"/>	<input type="checkbox"/>
<b>Pipe Size</b>			
1/4" NPT		(2)	
3/8" NPT		(3)	
<b>Options</b>			
Tamper Proof			(T)
Tapped Exhaust			(E)
BSPT (Tapered)			(U)
Bias <sup>1</sup>			(D)

<sup>1</sup> *Maximum Input Bias - 3.5 psig, [0.2 BAR], (20 kPa),  
Maximum Output Bias - 9.0 psig, [0.6 BAR], (60 kPa)*



**FAIRCHILD**  
INDUSTRIAL PRODUCTS COMPANY

3920 WEST POINT BLVD. WINSTON-SALEM, NC 27103-6708  
TEL 336-659-3400 FAX 336-659-9323

[www.fairchildproducts.com](http://www.fairchildproducts.com)



FM NO. 25571