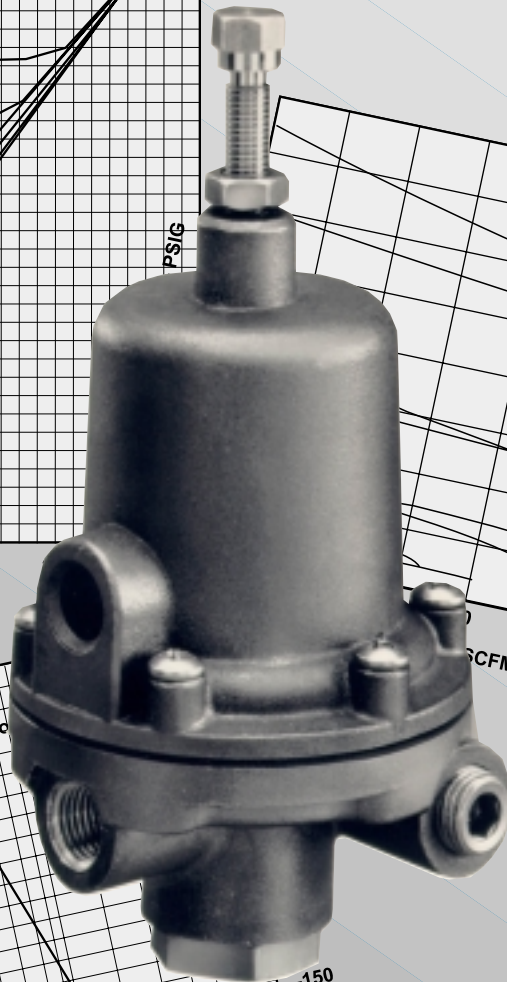
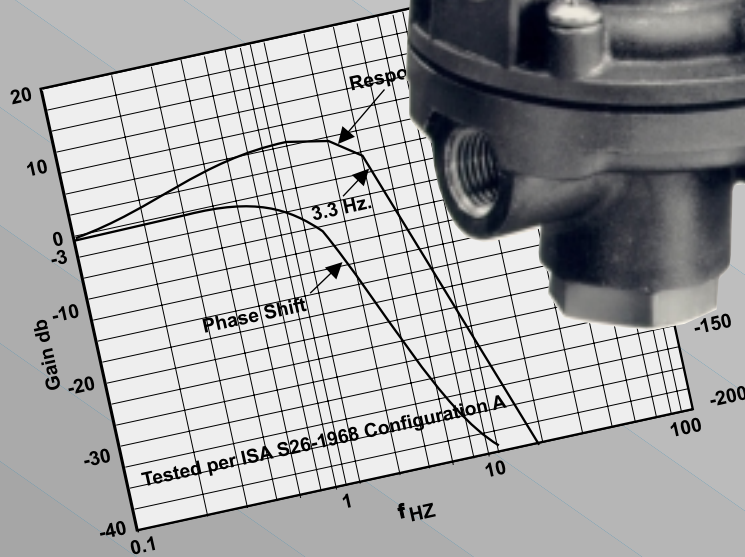
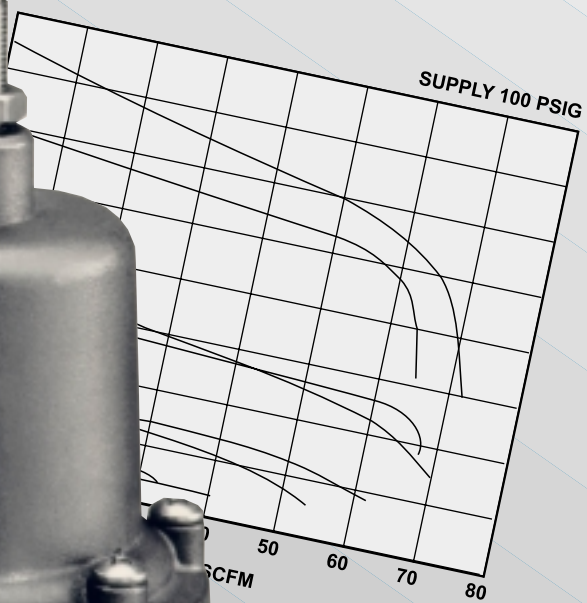
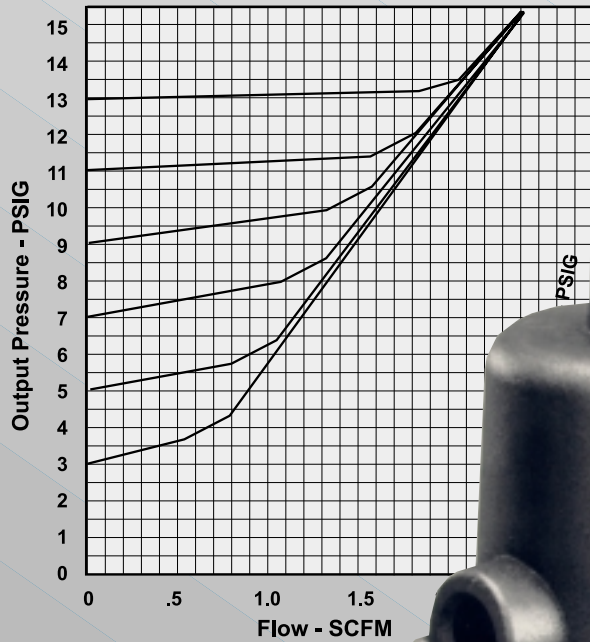


FAIRCHILD

PNEUMATIC STAINLESS STEEL REGULATOR

Model 66



FAIRCHILD
INDUSTRIAL PRODUCTS COMPANY

GENERAL INFORMATION

MODEL 66

Pneumatic Stainless Steel Regulator

APPLICATIONS

The Model 66 Stainless Steel Pressure Regulator is for use with a wide variety of corrosive materials and environments.

FEATURES

Performance

- Large Control Diaphragm Area for increased sensitivity.
- Aspirator Design minimizes output pressure droop under flow conditions.

Functional

- Viton Elastomers compatible with corrosive materials and environments.

Physical

- A separate Control Chamber isolates the diaphragm from the main flow, eliminating hunting and buzzing.
- Line or Panel Mounting allows flexibility in installation.

NOTE:

The information for this catalog sheet is being upgraded to electronic format and will be available soon. Please go to the Information Request section of this web site to order the latest printed revision.

— ORDERING INFORMATION —

Catalog Number	6 6 1	<input type="checkbox"/>	<input type="checkbox"/>	<input type="checkbox"/>
Pressure Range				
psig [BAR] (kPa)				
0-10 [0-0.7] (0-70)				(2)
0.5-30 [0.03-2] (3-200)				(3)
1-60 [0.01-4] (10-400)				(4)
2-100 [0.15-8] (15-800)				(5)
2-150 [0.15-10] (15-1000)				(6)
Pipe Size				
1/4" NPT				(2)
Options				
Tapped Exhaust				(E)
Knob Adjust				(K)
Non-Relieving ¹				(NA)
Panel Mounting ²				(P)

¹ Used with Aluminum Bonnet Only.

² Not Available with Non-Relieving (NA) Option.



FAIRCHILD
INDUSTRIAL PRODUCTS COMPANY

3920 WEST POINT BLVD. WINSTON-SALEM, NC 27103-6708
TEL 336-659-3400 FAX 336-659-9323

www.fairchildproducts.com



FM NO. 25571